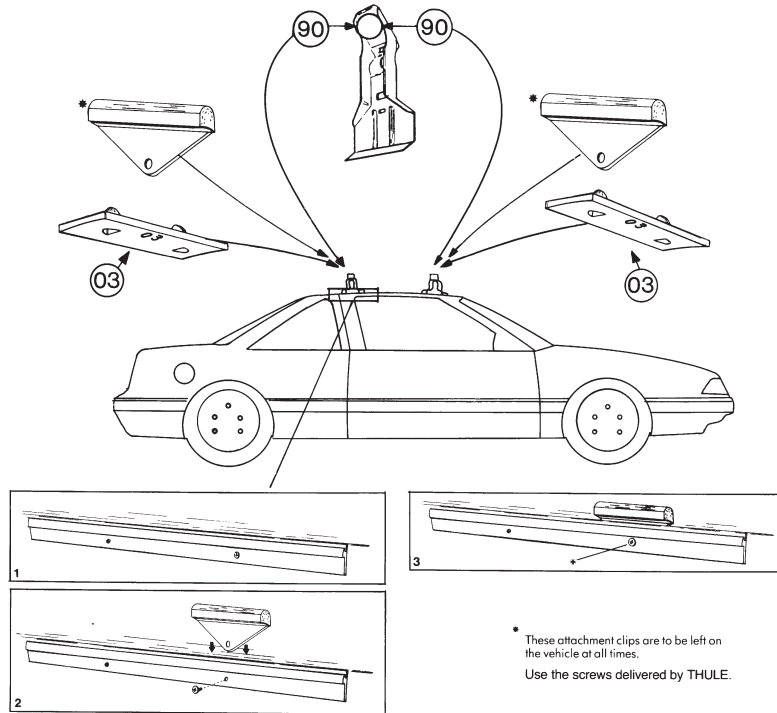
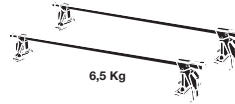


# Thule System Kit 105

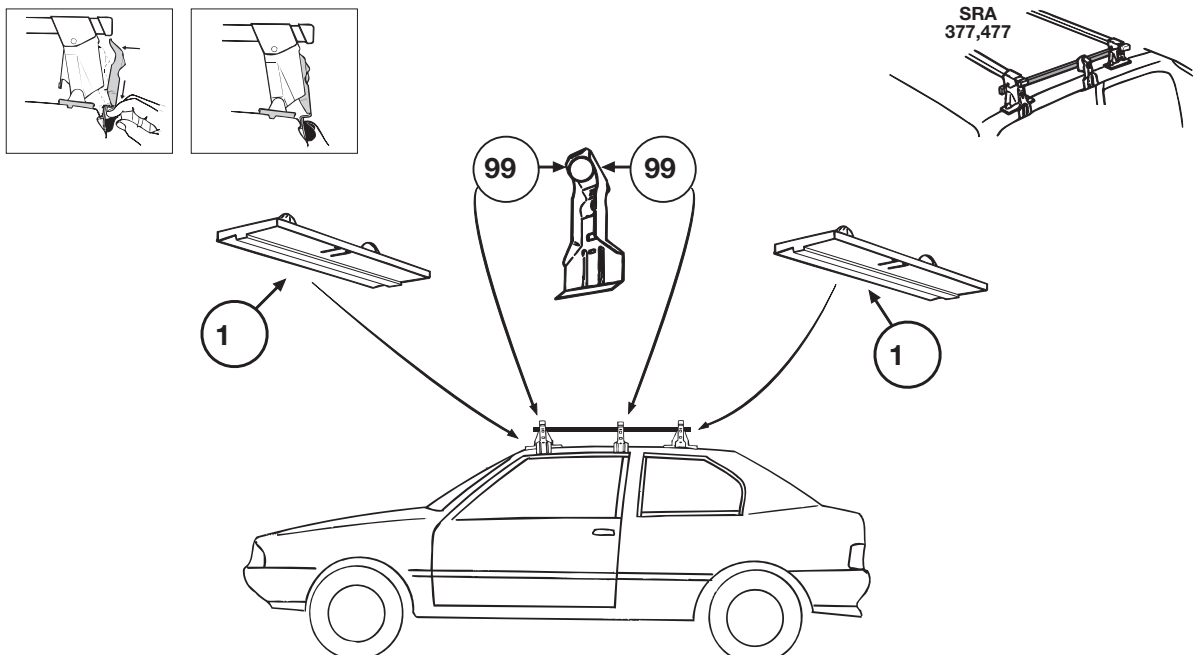
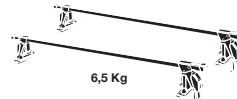
CHEVROLET Lumina coupé 2-dr 90-  
PONTIAC Grand prix 2-dr, 88-



008•4EF/501-0105-03

# Thule System Kit 106

RENAULT 19 3-dr, 89-



216•4dF/501-0106-02