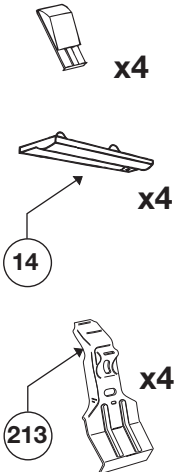
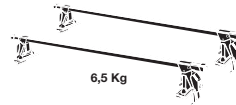
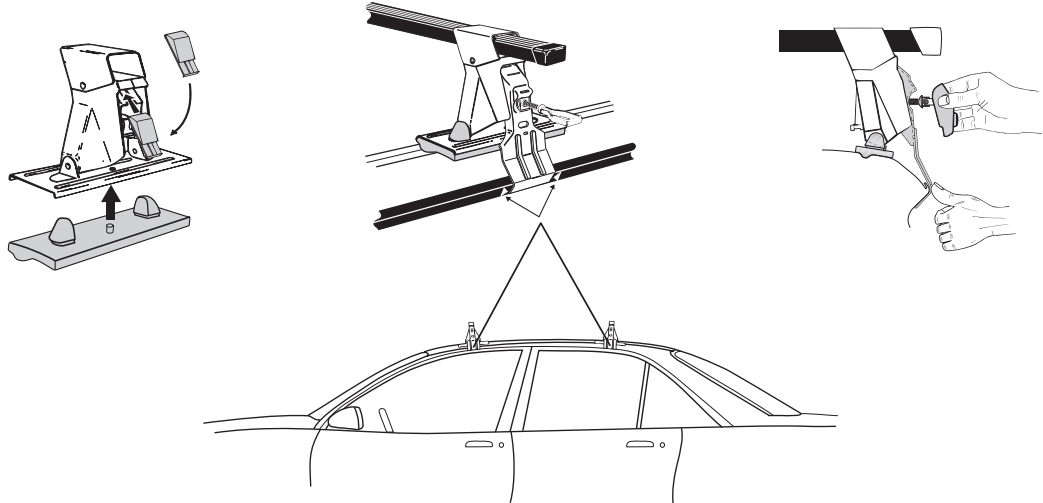


# Thule System Kit 142

AUDI 100 4-dr, 91- / AUDI 100 Avant, 92-94  
AUDI A6 4-dr 94-



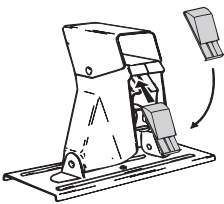
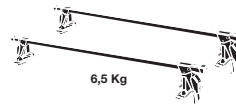
	Front	Rear
Audi A6, 94-	940 mm / 37 inch	938 mm / 36 <sup>5</sup> / <sub>8</sub> inch
Audi 100, 91-	940 mm / 37 inch	914 mm / 36 inch
Audi Avant, 92-	945 mm / 37 <sup>1</sup> / <sub>4</sub> inch	940 mm / 37 inch



442•4EF/501-0142-04

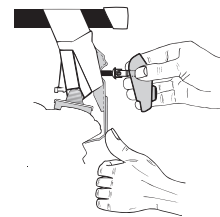
# Thule System Kit 143

Honda Accord Wagon, 91-  
Honda Accord Aerodeck, 91-

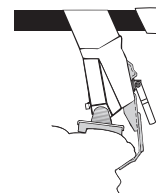


Front	Rear
942 mm / 37 inch	914 mm / 36 inch

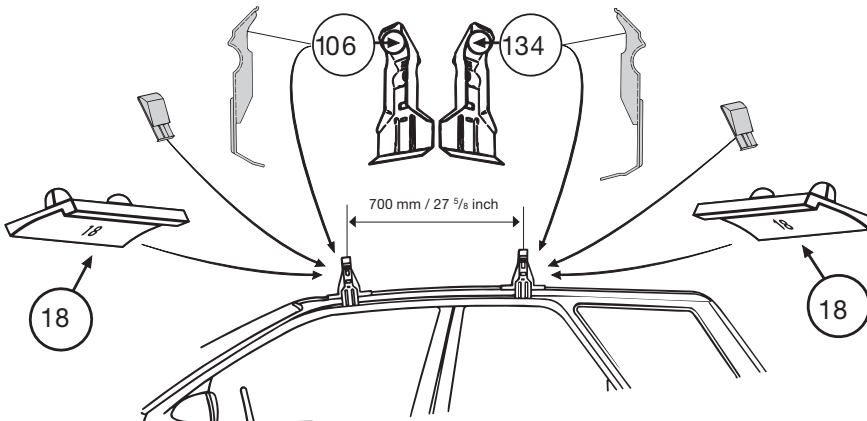
During the fitting.



After the fitting.



Screw the load carrier into position alternating between the feet, and maintaining constant pressure on the bracket.



350•4EF/501-0143-02