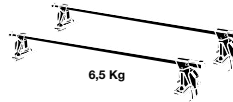
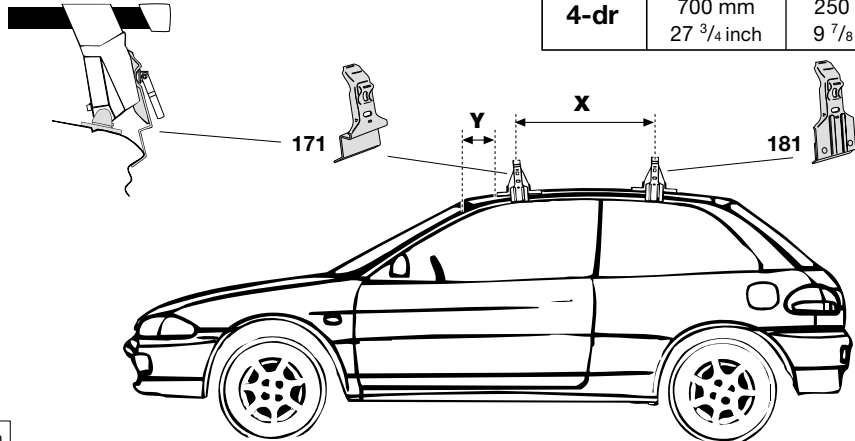
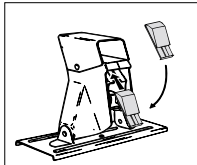


Thule System Kit 158

EAGLE Summit 3-dr Hatchback, 93–
DODGE Colt 3-dr Hatchback, 93–
MITSUBISHI Colt 2-dr Coupé(USA), 93-95
MITSUBISHI Colt 3-dr Hatchback, 92-95
MITSUBISHI Mirage 3-dr Hatchback, 92-96
MITSUBISHI Mirage 4-dr Sedan, 92-96
PLYMOUTH Colt 3-dr Hatchback, 92-95
PROTON Satria 2-dr Coupé, 96–

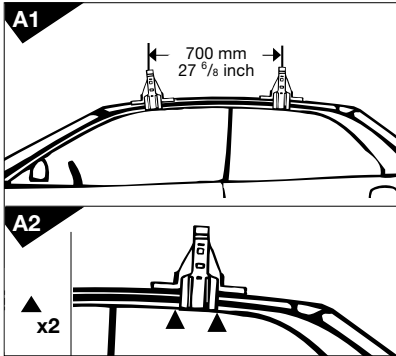


	X	Y
2-dr	480 mm 18 7/8 inch	250 mm 9 7/8 inch
3-dr	700 mm 27 3/4 inch	250 mm 9 7/8 inch
4-dr	700 mm 27 3/4 inch	250 mm 9 7/8 inch

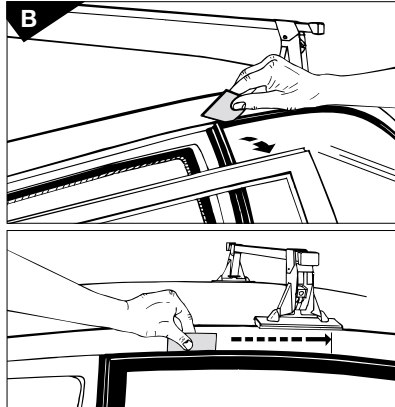


Front Rear

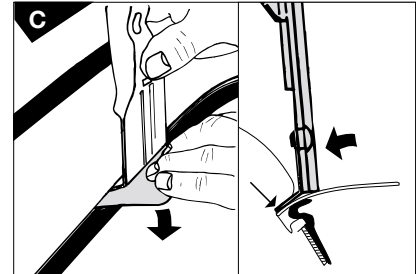
900 mm / 35 1/2 inch 870 mm / 34 1/2 inch



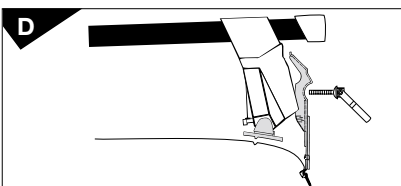
GB Position the rear load carrier on the roof of the vehicle, but do not fasten it in position. Mark the position of the bracket with the stickers provided (see Fig A2).



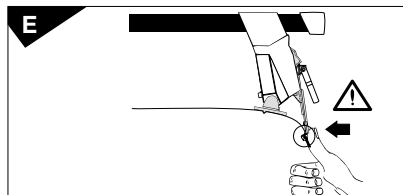
GB Open the front door and insert the plastic card between the roof and the rubber weatherstrip as shown in Fig B. Carefully draw the card backwards until it is centred on the position for the rear load carrier.



GB Use the plastic card to fold the rubber weatherstrip outwards, and push the bracket downwards between the roof and the card. Note that the bracket should be pushed downwards until it is touching the roof. Remove the plastic card when the bracket has been fitted.



GB Lift the load carrier slightly, so that the bracket assumes the correct position for the foot, and tighten the locking screw slightly with a couple of turns. Now repeat the operation for the other end of the load carrier before tightening up the locking screws completely.



GB Fasten the load carrier in position by tightening up the screws alternately at either end, applying constant pressure on the lower part of the brackets.