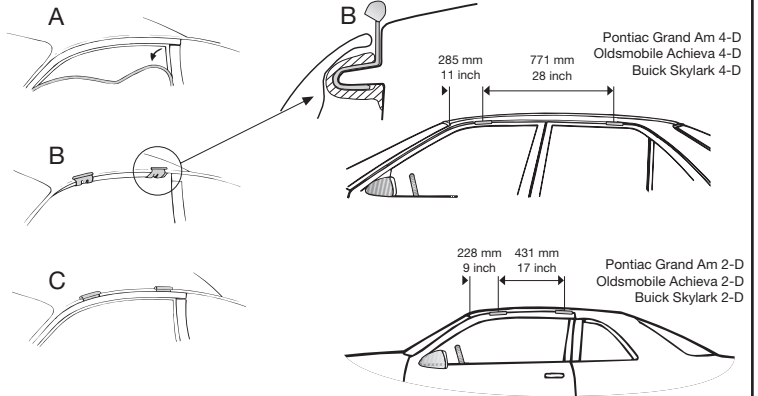


Thule System Kit 177

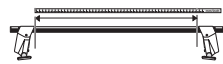
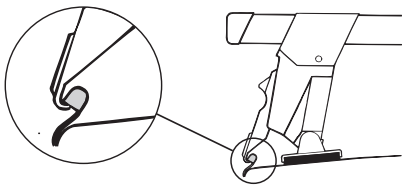
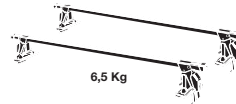


Gently pull the door frame's rubber gasket away from the vehicle. Install the attachment clips onto the vehicle by pushing them onto the welded gutter. **See the figure for correct positioning**

The attachment clips should always been left on the vehicle. The roof rack can be mounted and dismantled as you wish.

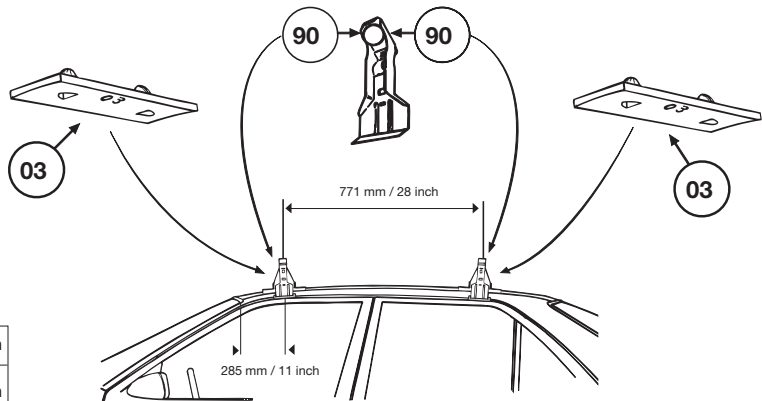


PONTIAC Grand Am 4-dr OLDSMOBILE Achieva 4-dr BUICK Skylark 4-dr

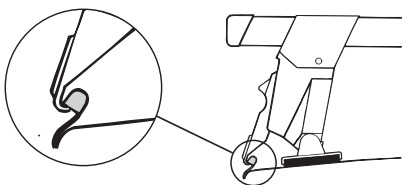
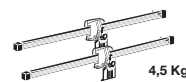
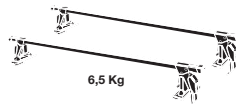


Front Rear

PONTIAC	806 mm / 31 ³ / ₄ inch	800 mm / 31 ¹ / ₂ inch
OLDSMOBILE	800 mm / 31 ¹ / ₂ inch	795 mm / 31 ¹ / ₄ inch
BUICK	785 mm / 31 inch	790 mm / 31 ¹ / ₈ inch



PONTIAC Grand Am 2-dr OLDSMOBILE Achieva 2-dr BUICK Skylark 2-dr



Front Rear

PONTIAC	800 mm / 31 ¹ / ₂ inch	800 mm / 31 ¹ / ₂ inch
OLDSMOBILE	807 mm / 31 ³ / ₄ inch	800 mm / 31 ¹ / ₂ inch
BUICK	790 mm / 31 ¹ / ₈ inch	790 mm / 31 ¹ / ₈ inch

