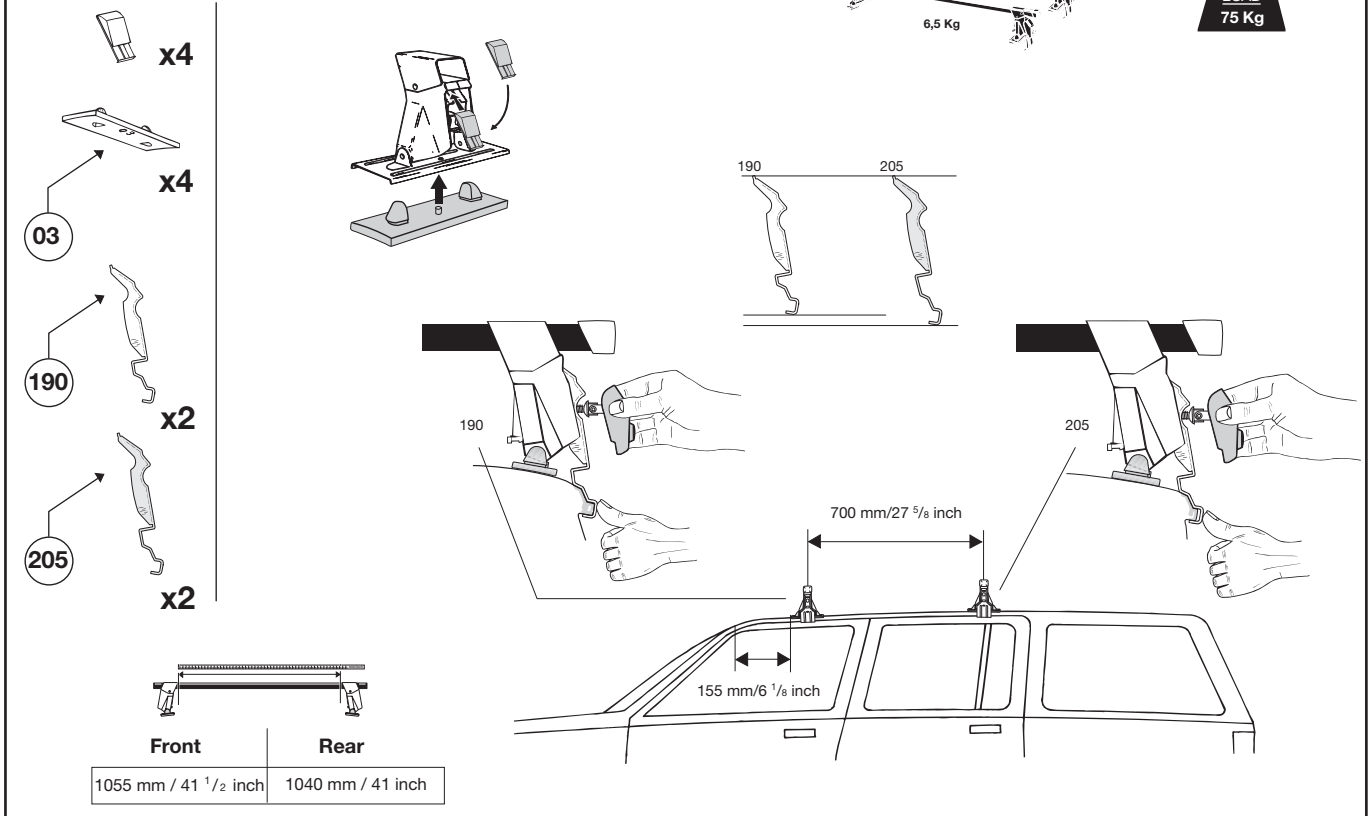


Thule System Kit 179

JEEP GRAND Cherokee 92-



512•4EF/501-0179-03

Thule System Kit 180

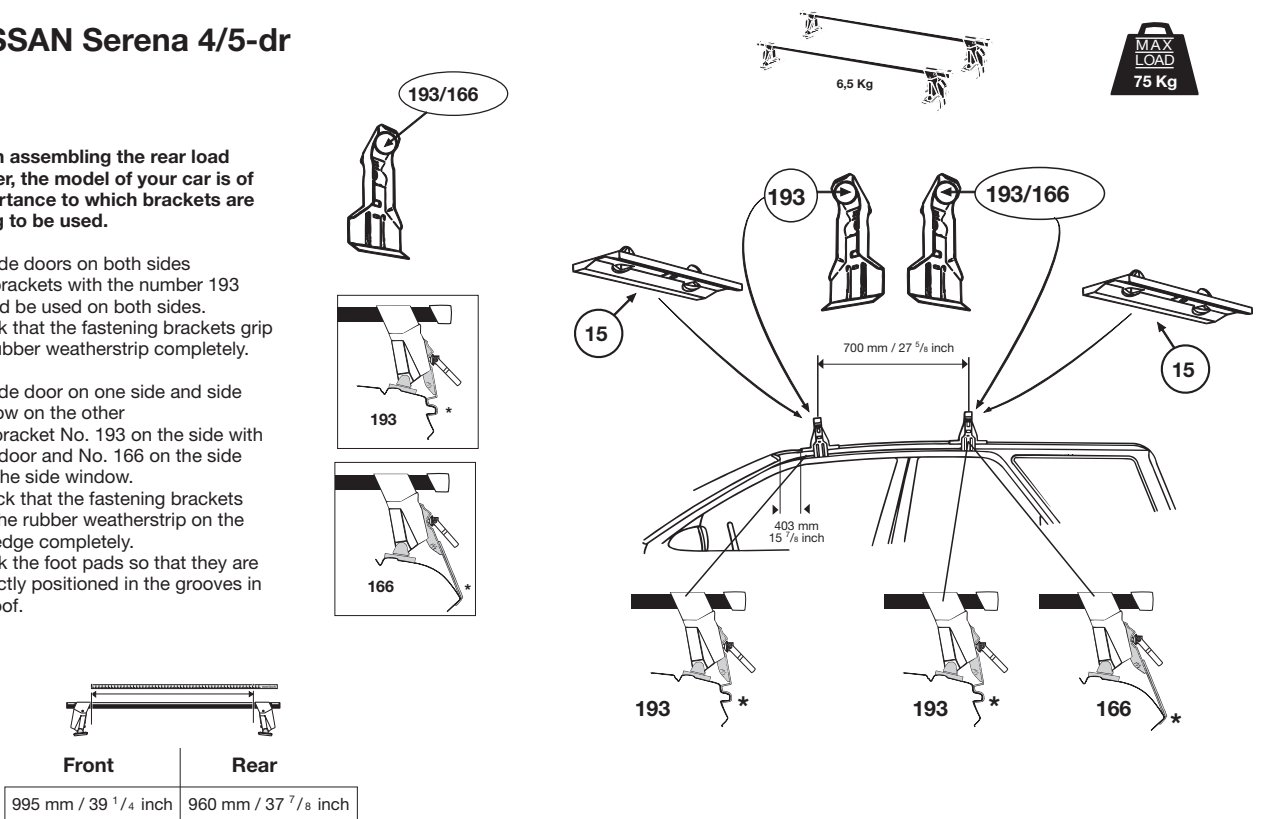
NISSAN Serena 4/5-dr

When assembling the rear load carrier, the model of your car is of importance to which brackets are going to be used.

A. Slide doors on both sides
The brackets with the number 193 should be used on both sides. Check that the fastening brackets grip the rubber weatherstrip completely.

B. Slide door on one side and side window on the other
Use bracket No. 193 on the side with slide door and No. 166 on the side with the side window.

* Check that the fastening brackets grip the rubber weatherstrip on the roof edge completely. Check the foot pads so that they are correctly positioned in the grooves in the roof.



241•4DF/501-0180