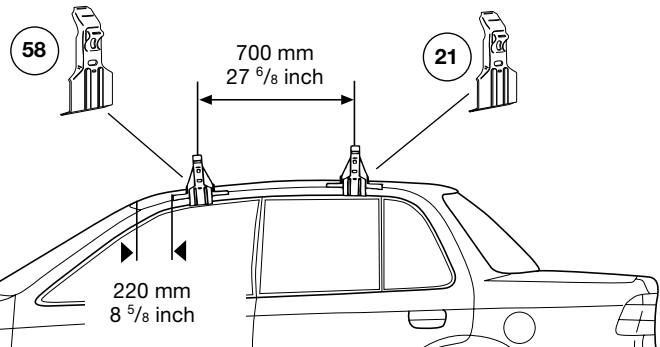
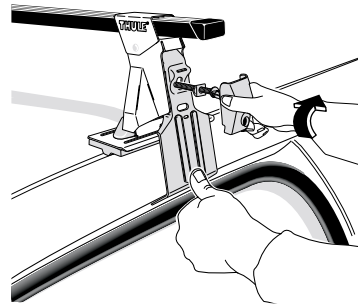
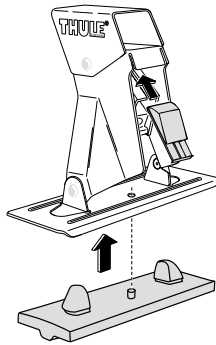
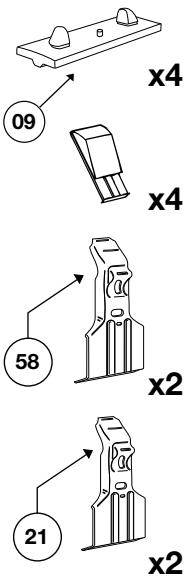
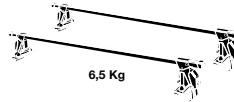


# Thule System Kit 186

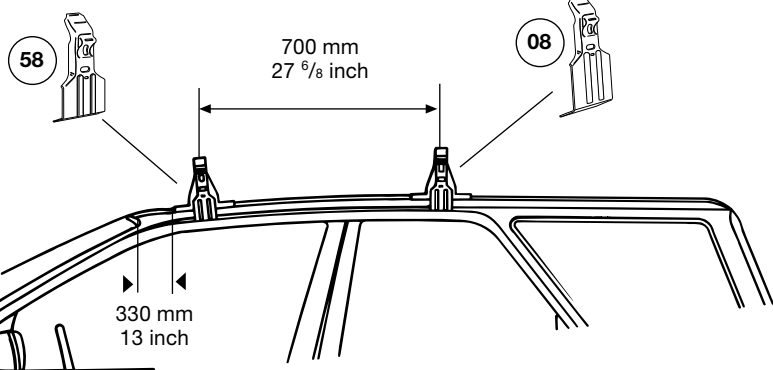
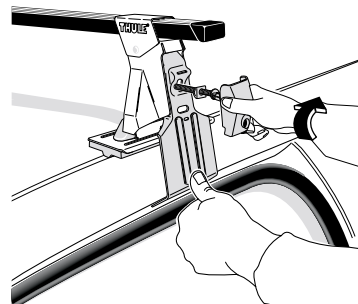
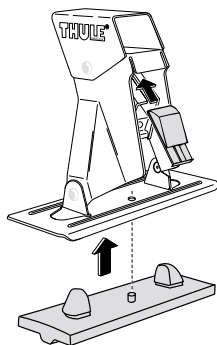
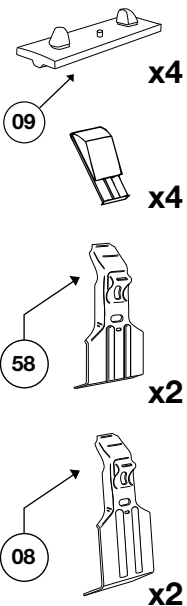
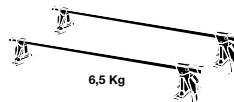
**MITSUBISHI Lancer 4-dr Sedan, 93-95**  
**PROTON Wira 4-dr Sedan, 93-**



Front Rear

930 mm / 36 1/2 inch	915 mm / 36 inch
----------------------	------------------

**MITSUBISHI Lancer 5-dr Estate, 93-95**  
**PROTON Wira 5-dr Hatchback, 93-**



Front Rear

915 mm / 36 inch	890 mm / 35 inch
------------------	------------------