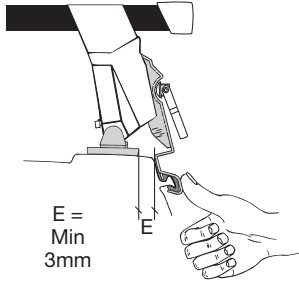
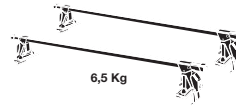


Thule System Kit 187

**TOYOTA Aristo, 92-
LEXUS 300 GS, 94-**

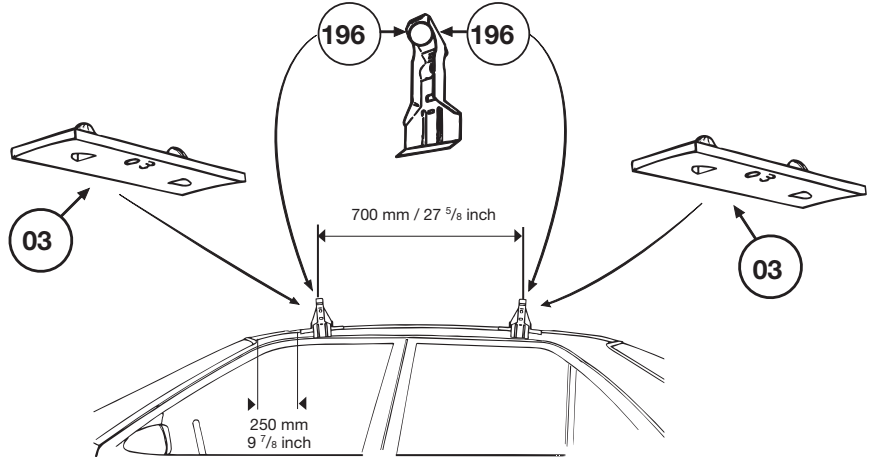


E =
Min
3mm

Screw the load carrier into position alternating between the feet, and maintaining constant pressure on the bracket.



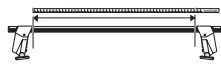
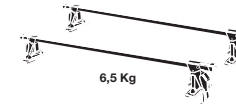
Front	Rear
953 mm / 37 1/2 inch	975 mm / 38 1/4 inch



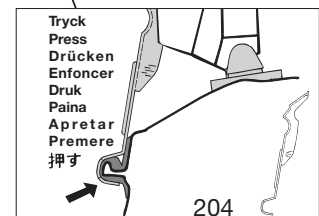
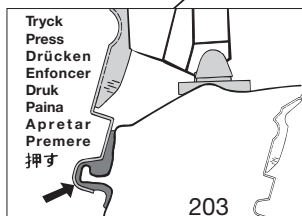
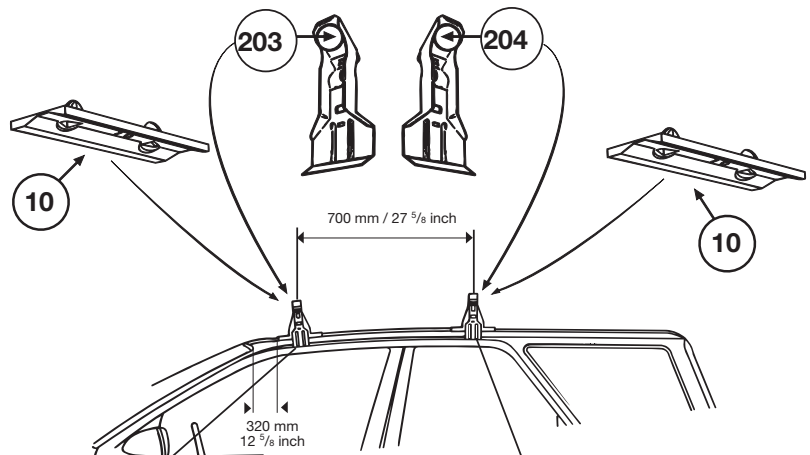
401•4EF/501-0187-02

Thule System Kit 188

TOYOTA Camry combi, 92-



Front	Rear
950 mm / 37 1/2 inch	910 mm / 35 3/4 inch



241•4EF/501-0188