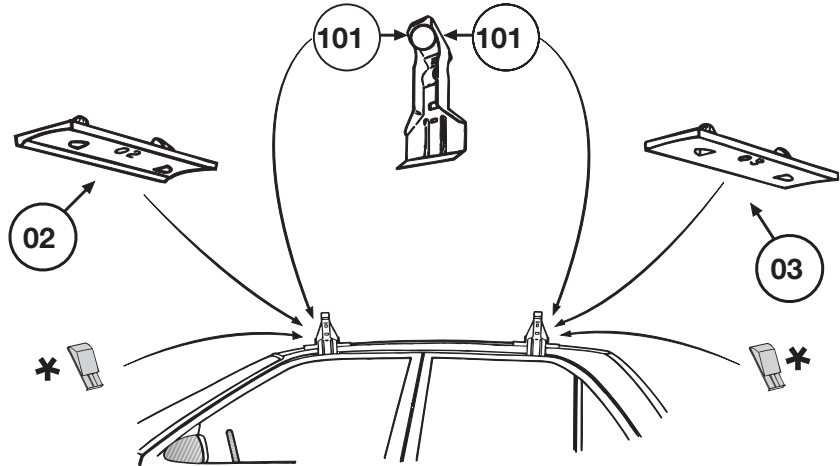
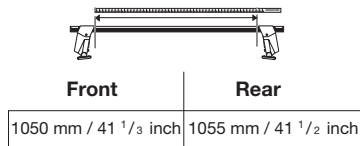
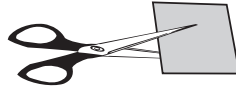
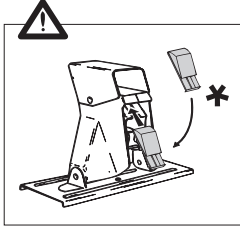
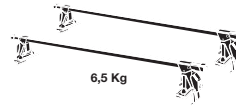
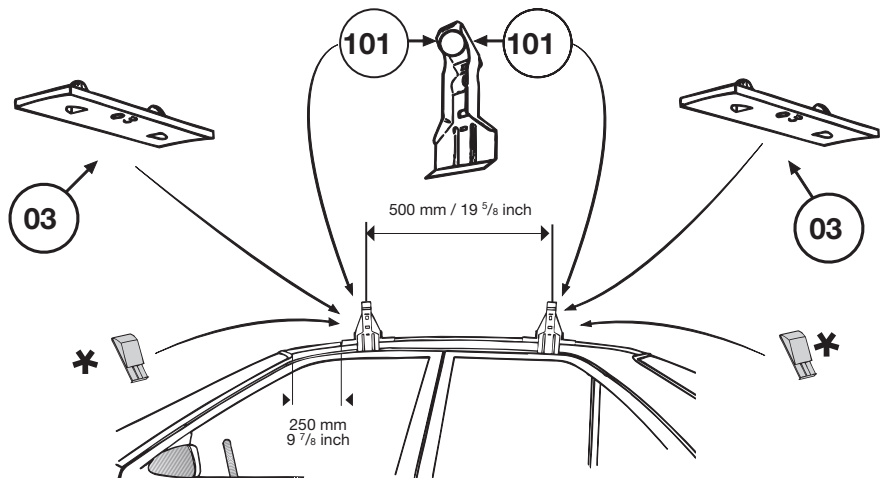
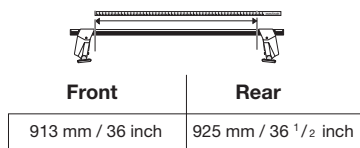
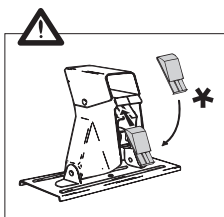
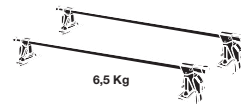


Thule System Kit 196

MITSUBISHI Diamant 90–
MITSUBISHI Sigma 90–



MITSUBISHI Emeraude 92–



IMPORTANT! As the distance between the load bars is short, ski boxes and surfboards should not be fitted.