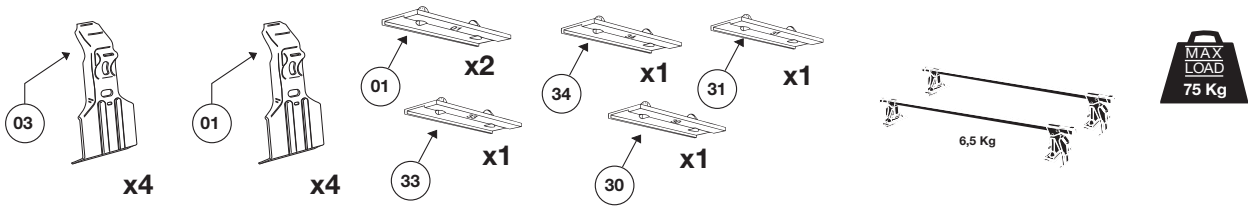
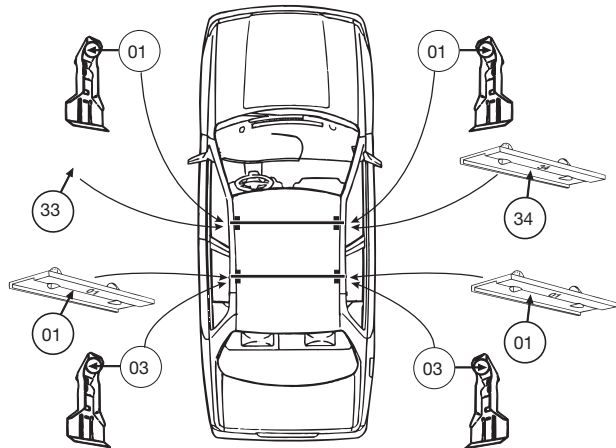
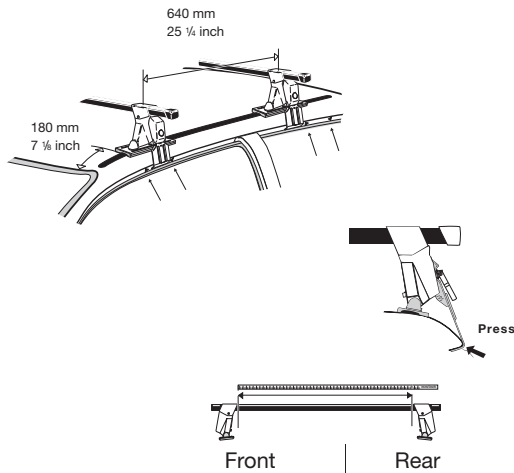


# Thule System Kit 002



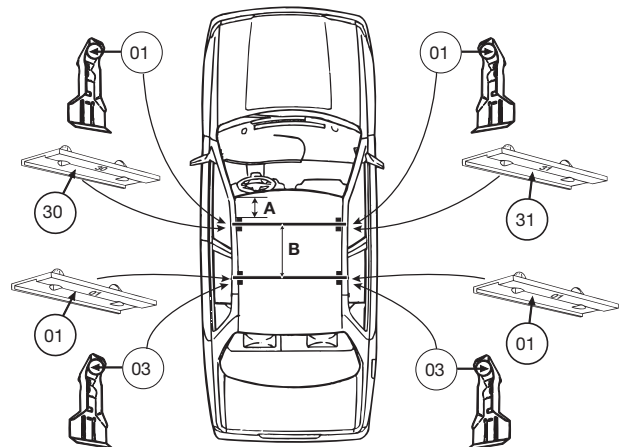
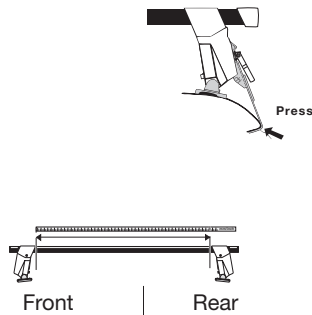
## Mercedes E-Class 4-dr, 96-



|                          |                       |                      |
|--------------------------|-----------------------|----------------------|
| <b>E-Class 4-dr, 96-</b> | 1004 mm / 39 1/2 inch | 970 mm / 38 1/4 inch |
|--------------------------|-----------------------|----------------------|

## Mercedes 190, 84-92

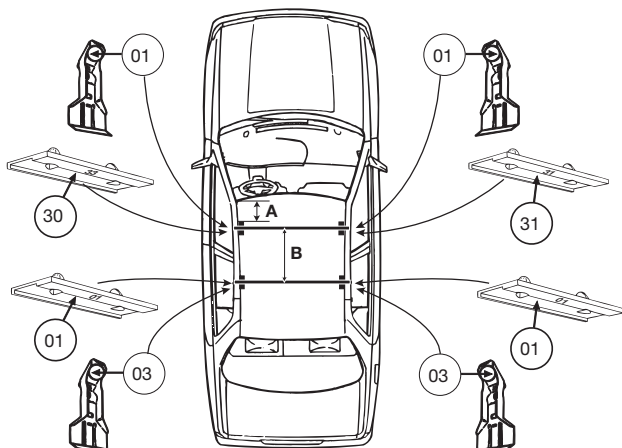
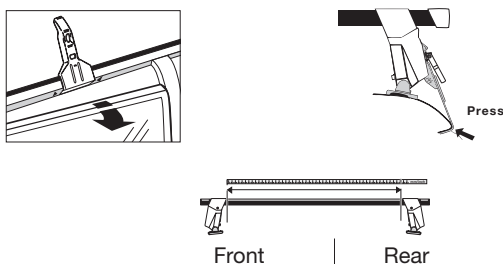
A= 230 mm. 9 inch.  
B= 670 mm. 26 3/8 inch.



|                   |                      |                      |
|-------------------|----------------------|----------------------|
| <b>190, 84-92</b> | 955 mm / 37 5/8 inch | 905 mm / 35 5/8 inch |
|-------------------|----------------------|----------------------|

## Mercedes C 180, C 200, C 220, C 280, 93-

A= 180 mm. 7 1/8 inch.  
B= 630 mm. 24 7/8 inch.



|                          |                      |                      |
|--------------------------|----------------------|----------------------|
| <b>C 180, C 200</b>      | 993 mm / 39 1/8 inch | 930 mm / 36 5/8 inch |
| <b>C 220, C 280, 93-</b> |                      |                      |