

# Thule System Kit 2016

**CHEVROLET Venture, 97–**  
**OPEL Sintra Van, 98–**  
**PONTIAC Trans Sport, 98–**  
**Dual sliding door.**  
**Singel sliding door.**

*When assembling the load carrier, the model of your car is of importance to which brackets are going to be used.*

**A.** Slide doors on both sides. The brackets with the number 360 should be used on both sides.

\*Check that the fastening brackets grip the rubber weatherstrip completely.

**B.** Slide door on one side and side window on the other

Use bracket No. 360 on the side with slide door and No. 359 on the side with the side window.

\*Check that the fastening brackets grip the rubber weatherstrip on the roof edge completely.

\*Check the foot pads so that they are correctly positioned in the grooves in the roof.

## Singel slide door, 4-dr

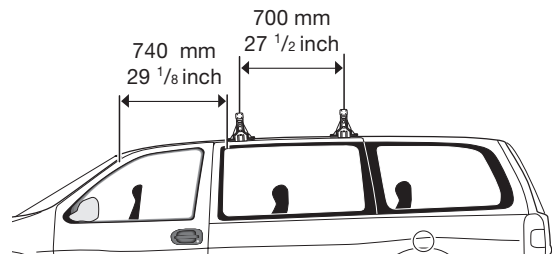
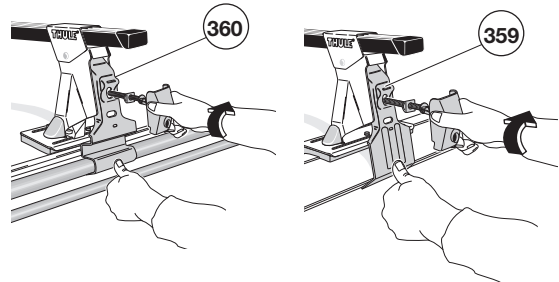
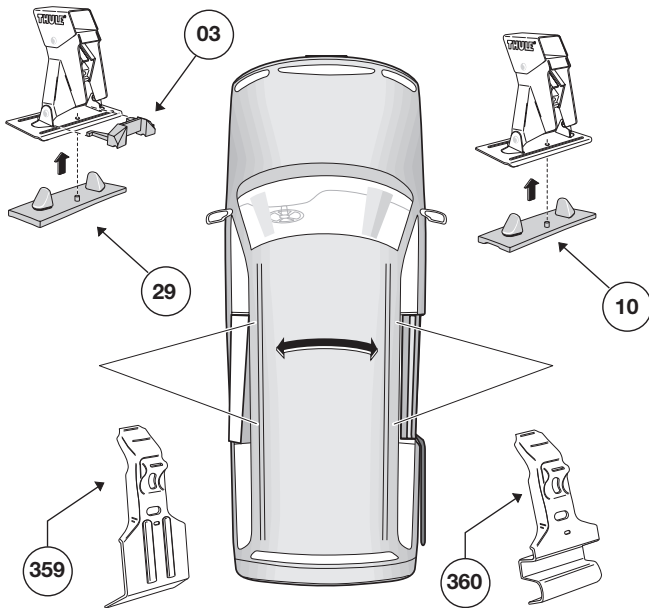
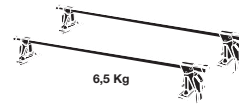


Front

Rear

1090 mm / 42 7/8 inch

1082 mm / 42 5/8 inch



## Dual slide door, 5-dr



Front

Rear

1042 mm / 41 inch

1015 mm / 40 inch

