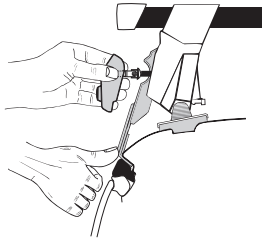
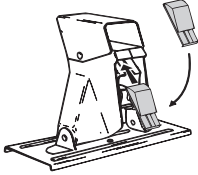
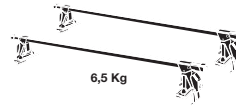


# Thule System Kit 220

## HONDA Integra 4-dr, 94-

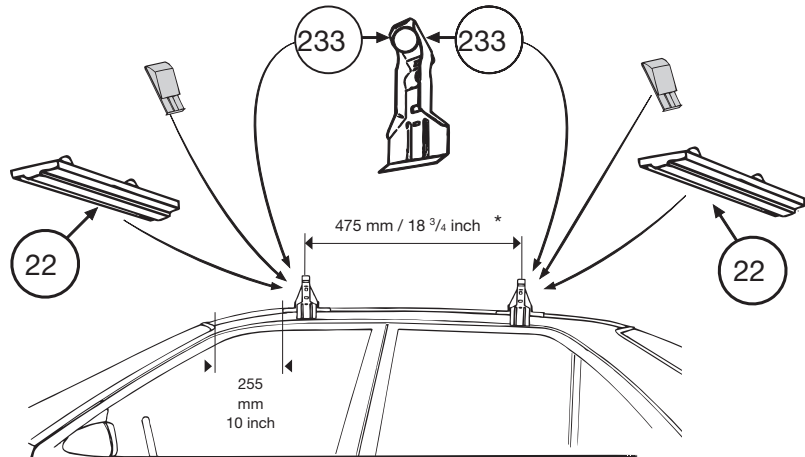
**IMPORTANT!** As the distance between the load bars is short, ski boxes and surfboards should not be fitted.

Screw the load carrier into position alternating between the feet, and maintaining constant pressure on the bracket.



Front                      Rear

875 mm / 34 1/2 inch	860 mm / 33 7/8 inch
----------------------	----------------------



350•4DF/501-0220