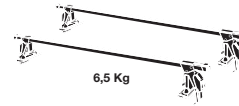

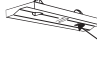
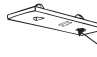


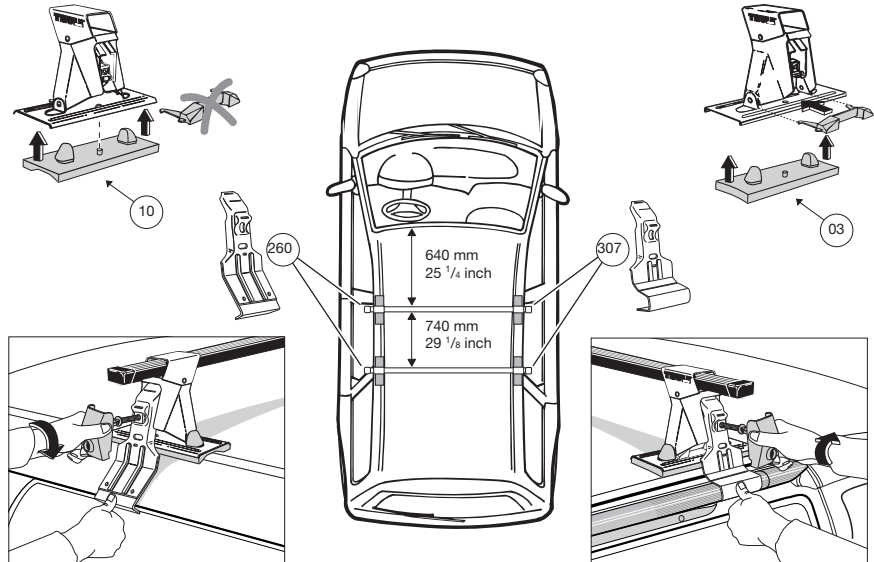


# Thule System Kit 268

PLYMOUTH Voyager, 96-  
 CHRYSLER Town & country, 95-  
 CHRYSLER Voyager, 96-  
 DODGE Caravan, 96-  
 DODGE Voyager, 96- (Singel sliding door)

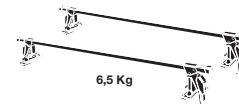



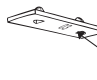

-  **03** x4
-  **10** x2
-  **03** x2
-  **260** x2
-  **307** x2

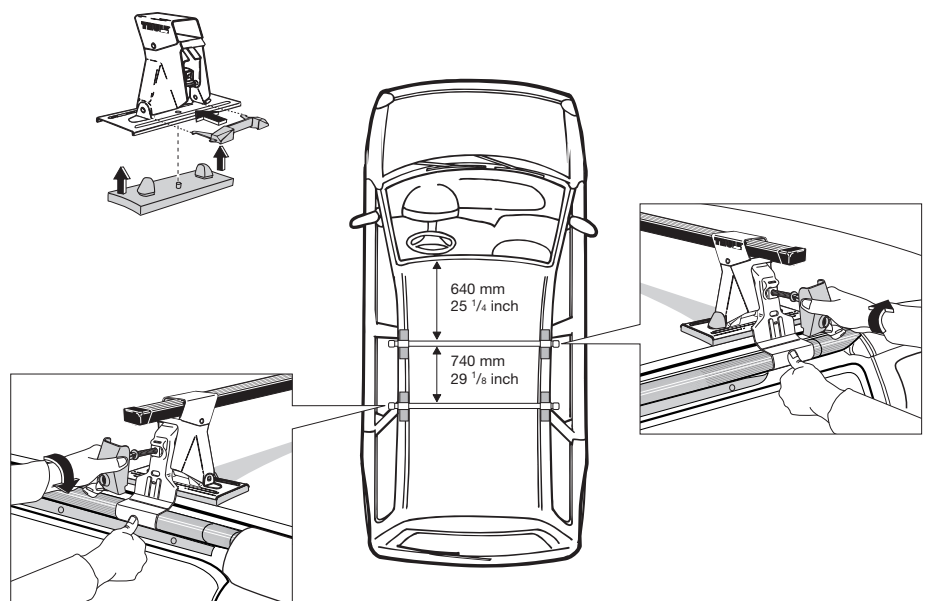


Front	Rear
1050 mm / 41 <sup>3</sup> / <sub>8</sub> inch	1050 mm / 41 <sup>3</sup> / <sub>8</sub> inch

PLYMOUTH Voyager, 96-  
 CHRYSLER Town & country, 95-  
 CHRYSLER Voyager, 96-  
 DODGE Caravan, 96-  
 DODGE Voyager, 96- (Dual sliding doors)



-  **03** x4
-  **03** x4
-  **307** x4



Front	Rear
1000 mm / 39 <sup>3</sup> / <sub>8</sub> inch	1000 mm / 39 <sup>3</sup> / <sub>8</sub> inch